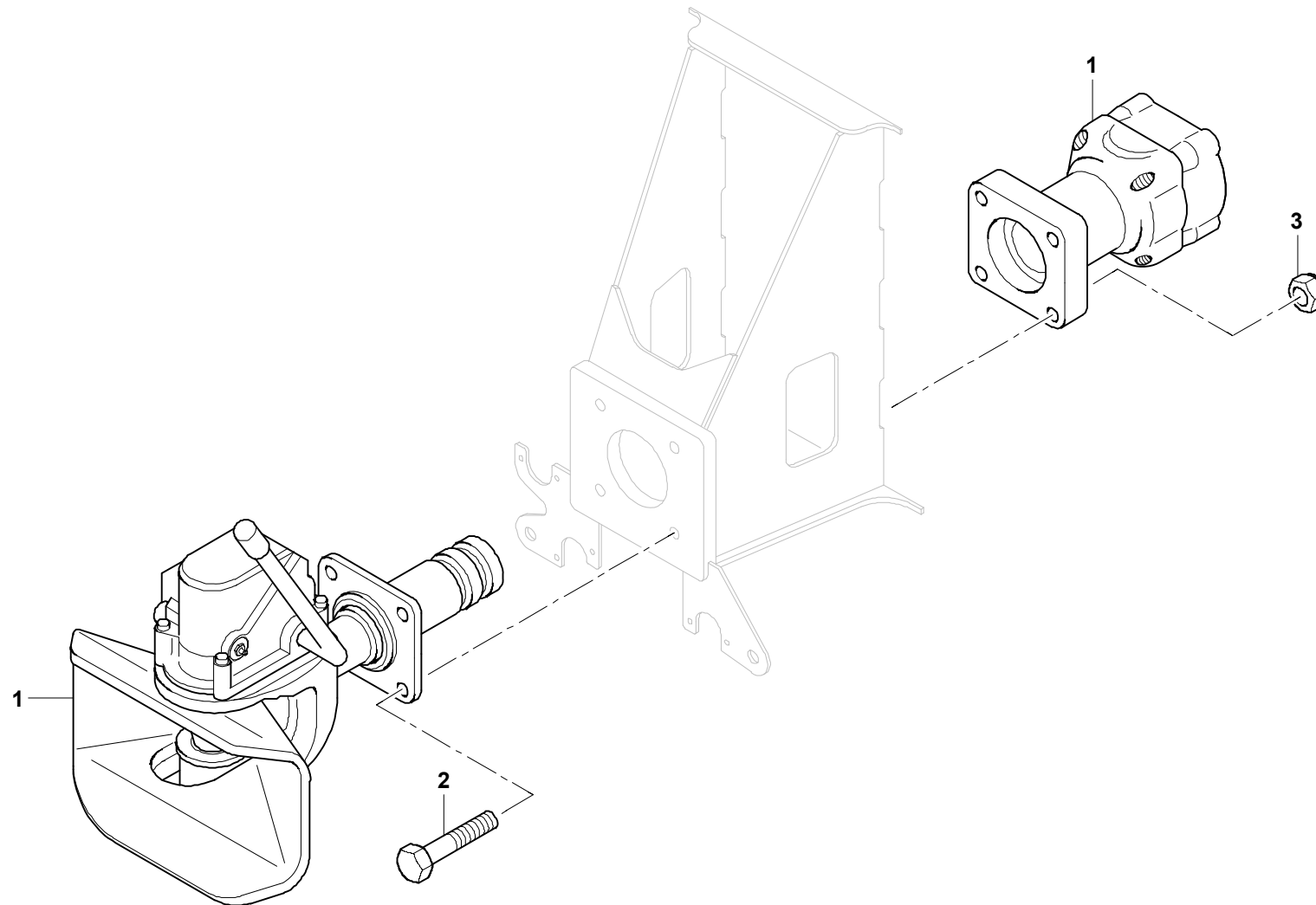


**GROVE**ANHAENGERKUPPLUNG  
TRAILER COUPLINGBILDTADEL  
PICTORIAL DISPLAY**GMK 5220**  
**BE 758**  
**G 000**

12.08

**3055367-ETL B**

1/1



3055367-B-BL01-1208-0000